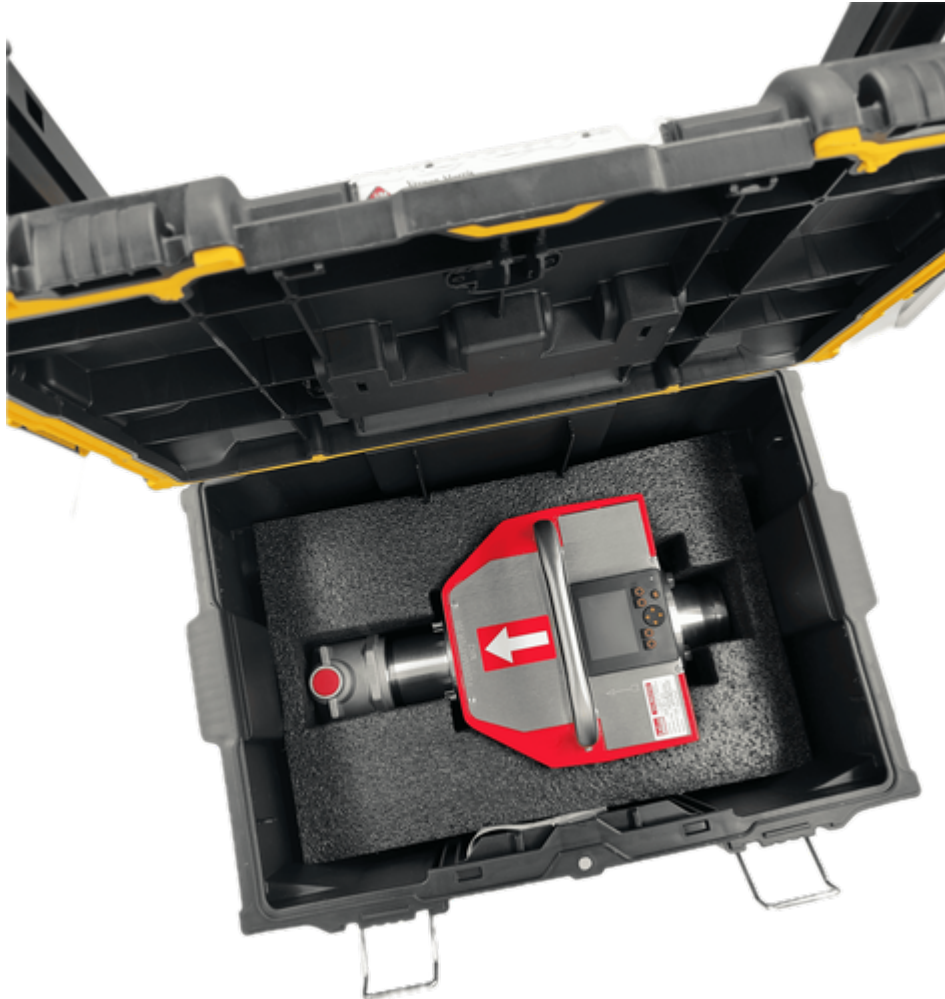




**Vernon Morris Utility Solutions Ltd**  
Specialist Suppliers to the Utilities

## Flowmaster Case Pair - Set 1 - Flowmaster 250/250MK2 Product Code: VMFMCASE1



### Information

A 2-piece wheeled transportation case specifically designed for the storage and transportation of the Flowmaster and ancillary equipment i.e. Gate Valve assembly, charger etc.

#### Contact us

Vernon Morris Utility Solutions Ltd  
Airfield View, Hawarden Industrial  
Park, Deeside, Flintshire, CH5  
3QW, United Kingdom  
Telephone: 01244 660794

©2025 Vernon Morris Utility Solutions Ltd.

All information is correct at time of publishing, however we reserve the right to change any information at any time.



ISO 14001  
ENVIRONMENTAL MANAGEMENT



ISO 9001  
QUALITY MANAGEMENT



# Vernon Morris Utility Solutions Ltd

Specialist Suppliers to the Utilities

**The items shown in the photographs are for illustration only and do not include any equipment shown in the boxes.**

The cases are fitted with a water repellent type foam with individual cut-outs to suit the various equipment to be stored. Both cases also feature an IP65 water and dust seal. Another unique feature is the latching system that allows the top case to simply click into position when mounted on top of the wheeled case.

The cases are manufactured from Polypropylene with the advantage of being fitted with 8" diameter wheels which provide greater stability when operating over uneven terrain.

Both cases also have provision of being able to fit a padlock if required and have a telescopic handle to assist with storage.

The bottom case also has the benefit of a detachable handle.

**Note: There is a similar pair of cases for the Flowmaster PFT (Product No. VMFMCASE2).**

## Dimensions:

### Wheeled case

Height (handle in the retracted position) = 715mm

Height (handle in the extended position) = 985mm

Width = 555mm (610mm including wheels)

Depth = 500mm

### Top ancillary case

Height = 310mm

Width = 555mm

Depth = 365mm

---

Availability: In Stock

## Contact us

Vernon Morris Utility Solutions Ltd  
Airfield View, Hawarden Industrial  
Park, Deeside, Flintshire, CH5  
3QW, United Kingdom  
Telephone: 01244 660794

## ©2025 Vernon Morris Utility Solutions Ltd.

All information is correct at time of publishing, however we reserve the right to change any information at any time.





# Vernon Morris Utility Solutions Ltd

Specialist Suppliers to the Utilities

£**POA**

Please enquire for the latest pricing & availability information for this item

## Contact us

Vernon Morris Utility Solutions Ltd  
Airfield View, Hawarden Industrial  
Park, Deeside, Flintshire, CH5  
3QW, United Kingdom  
Telephone: 01244 660794

©2025 Vernon Morris Utility Solutions Ltd.

All information is correct at time of publishing, however we reserve the right to change any information at any time.

